

VALUE-LIFT

STOCK LIFTER ORDER FORM

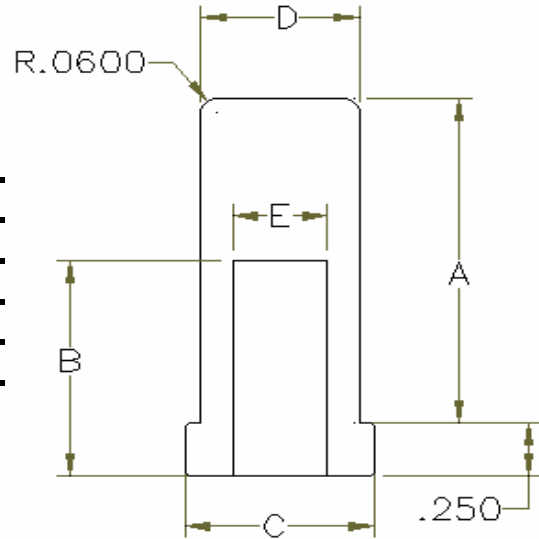
Standard Stock Guides and Stock Lifters

A Division of George Hansen & Co., Inc.
50 W Laura Drive, Addison, IL 60101
Phone: (630) 628-8700 Fax: (630) 628-8716

Customer Information

Company Name: _____
P.O. # _____
Address: _____
Contact Name: _____
Contact Phone: _____
Date Ordered: _____ Date Due: _____

Standard Stock Lifter
A-2 Material, 54-56 R.C.
Black Oxide Finish



* Note: No internal spring hole in 1/2" diameter lifters

Item No.	A	B	C	D	E	Price Ea.	Qty.	Amount
SL512	1.250	*	.625	.500	*	\$6.75		
SL515	1.500	*	.625	.500	*	\$6.75		
SL615	1.500	1-1/2"	.750	.625	3/8"	\$9.50		
SL617	1.750	1-1/2"	.750	.625	3/8"	\$9.75		
SL620	2.000	1-1/2"	.750	.625	3/8"	\$10.00		
SL715	1.500	1-1/2"	.875	.750	1/2"	\$11.50		
SL717	1.750	1-1/2"	.875	.750	1/2"	\$11.75		
SL720	2.000	1-1/2"	.875	.750	1/2"	\$12.00		
SL815	1.500	1-1/2"	1.000	.875	1/2"	\$12.50		
SL817	1.750	1-1/2"	1.000	.875	1/2"	\$12.75		
SL820	2.000	1-1/2"	1.000	.875	1/2"	\$13.00		
Ø 3/8" Springs, 3" Long						\$0.60		
Ø 3/8" Springs, 3-1/4" Long						\$0.60		
Ø 3/8" Springs, 3-1/2" Long						\$0.60		
Ø 1/2" Springs, 3" Long						\$0.80		
Ø 1/2" Springs, 3-1/4" Long						\$0.80		
Ø 1/2" Springs, 3-1/2" Long						\$0.80		

All orders shipped F.O.B. Addison, IL, UPS ground unless otherwise arranged.
A \$5 handling charge will be added to orders of less than \$100